

Specification of: DDM 8/9 TIGHT E6G3405 1F 4P 1V +SCT == 6N02249

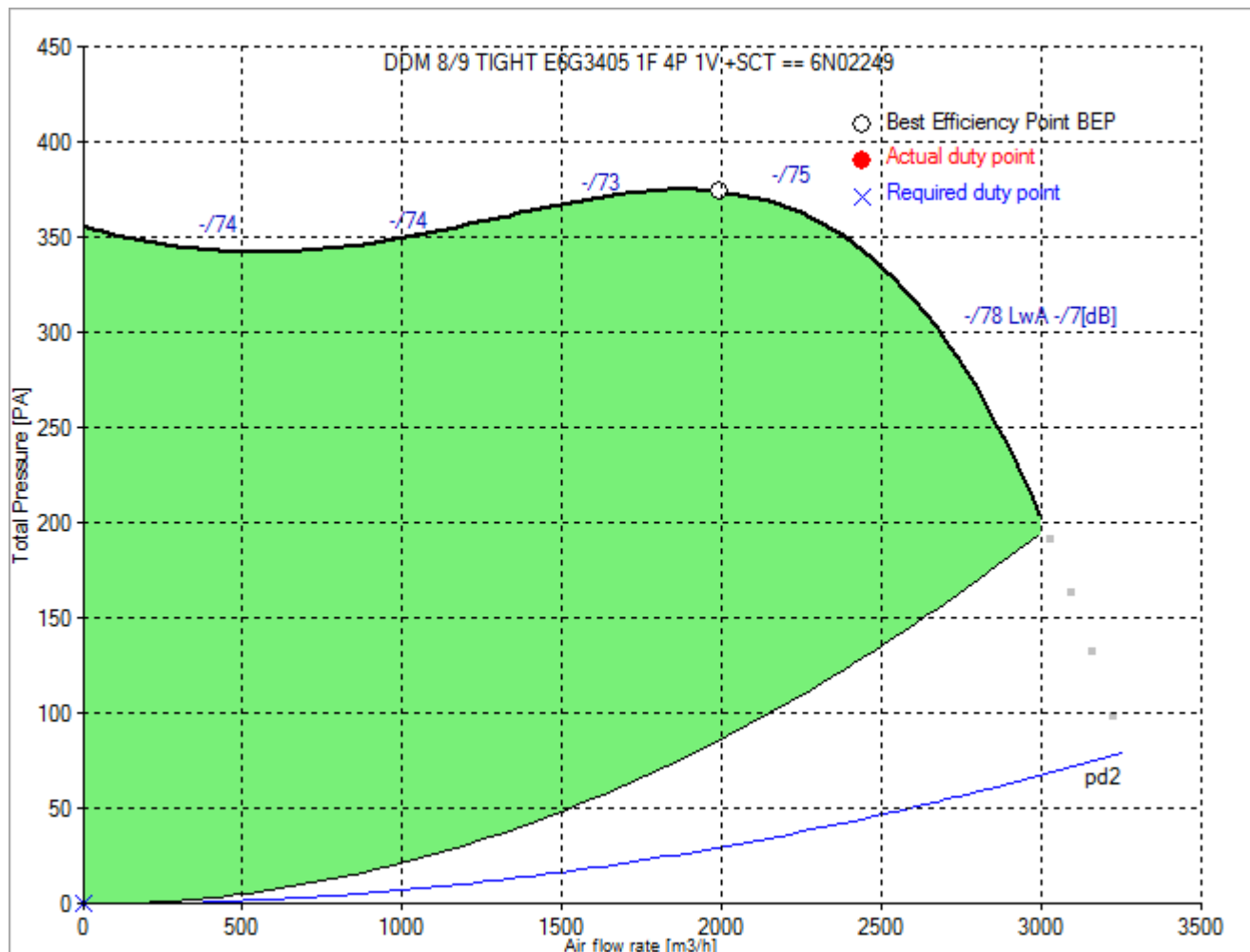
High performance centrifugal fan DDM

Double width, double inlet (DWDI), direct drive, forward curved blades fan. Lap-jointed scroll made of galvanized steel (EN 10142), assembled through a high-technology roller-locked seaming. Straight cut off plate at fan discharge. Impeller with forward curved blades of galvanized steel plate, directly mounted on a "External Rotor" motor for no transmission losses. Closed (IP 55) frame, single-phase, voltage controllable motor, usable at 230 V, 50 Hz. Built-in thermal protection device available as option. Maintenance free, integral vibration isolators, self aligning ball bearings. Dynamically balanced according to DIN ISO 21940-11. With mounted terminal box. Air performance ratings according to AMCA 210-99 (Fig. 12), UNI 10531 (Fig 30c and par. 29.2 f) and ISO 5801 (Fig. 69 c and par. 30.2 f).

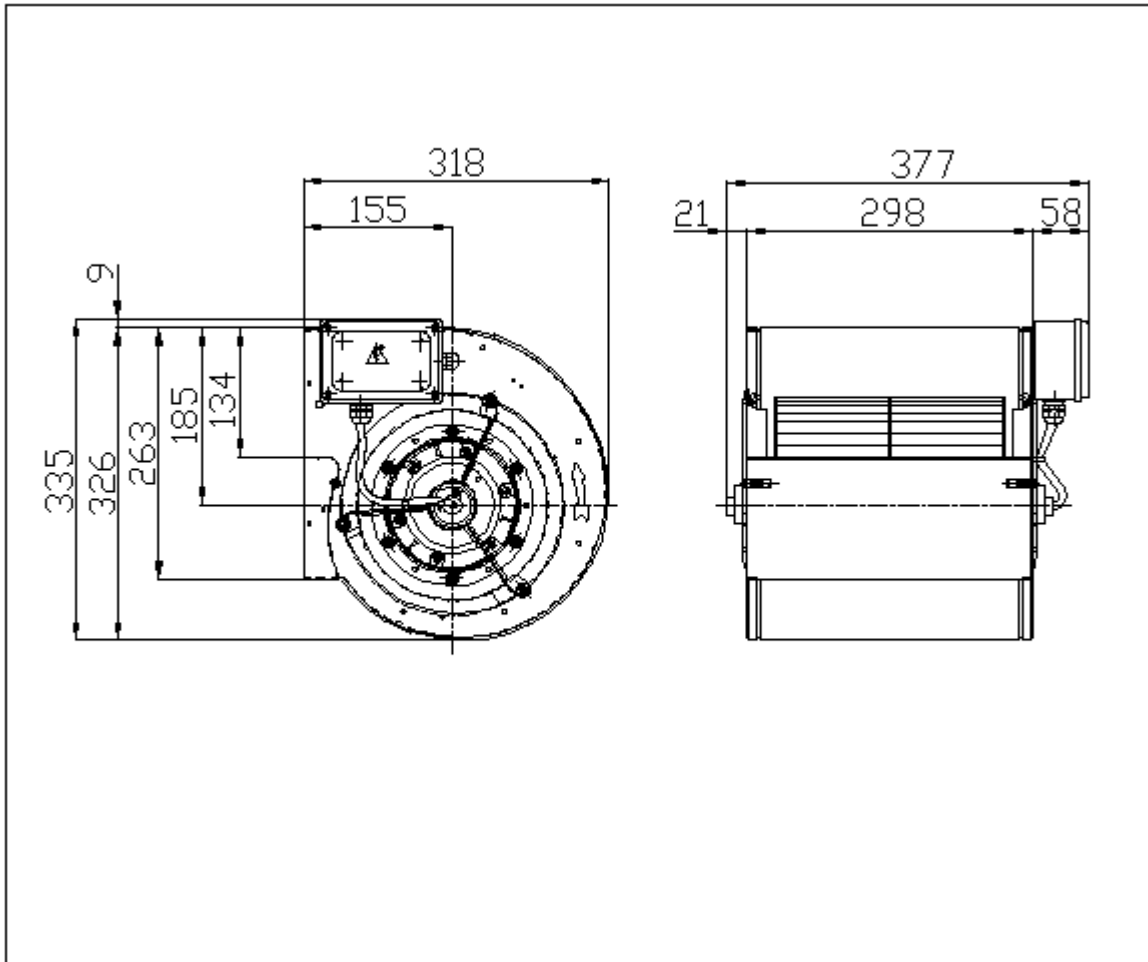
Technical data of the fan: DDM 8/9 TIGHT E6G3405 1F 4P 1V +SCT == 6N02249 [fulfills the ErP requirements 2015](#)

Description	Value Dimension
Specified duty point	
Actual duty point	
Installation acc. DIN 24163 Part 1	B
Reference density (Rho1)	1.20 kg/m ³
Medium temperature (t)	20 C
Fan weight	16 kg
Rated data	
Phases-Voltage-Frequency	1~230-50 V-Hz
Number of poles:	4
Motor rating (P _N)	0.42 kW
Rated motor speed (n _N)	1320 min ⁻¹
Rated motor current (I _N)	2,8 A
Capacitor (C)	12,5 µF
operational limits	
Max. absorbed power (P _{1max})	0.741 kW
Temperature range of conveying medium (t _{min} ... t _{max})	-20...40 C
ErP-Data at best efficiency and density - kg/m³	
measurement- / efficiency category	B / total
design status of VSD	without VSD
overall efficiency (ETA _{opt})	40.9 %
achieved efficiency grade (N _{ist})	49.0
required efficiency grade in 2013 / 2015 (N)	42 / 49
Air flow rate (V _{opt})	1992 m ³ /h
pressure rise (dp _{opt})	376 Pa
Fan speed (n _{vopt})	1366 min ⁻¹
motor power input (P _{1opt})	0.509 kW
specific ratio (d _{dpopt})	1.004

Fan curve to DDM 8/9 TIGHT E6G3405 1F 4P 1V +SCT == 6N02249



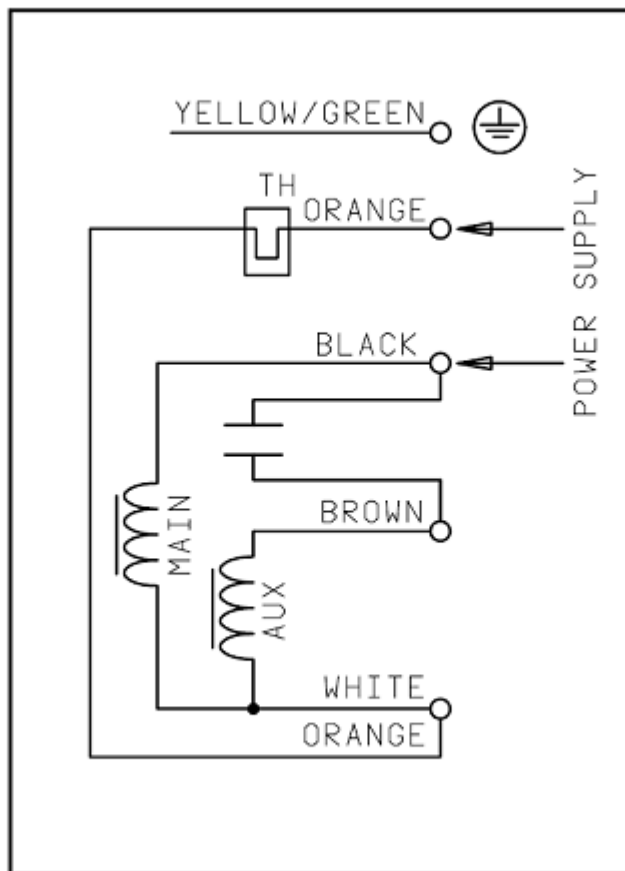
Dimensions to DDM 8/9 TIGHT E6G3405 1F 4P 1V +SCT == 6N02249



Rotation:
Handing:

RD
90

Wiring diagram of the fan DDM 8/9 TIGHT E6G3405 1F 4P 1V +SCT == 6N02249



20-09-2006 34

Wiring diagram for connection to: [mains - terminal box - motor](#)
Rotation: [LG](#)